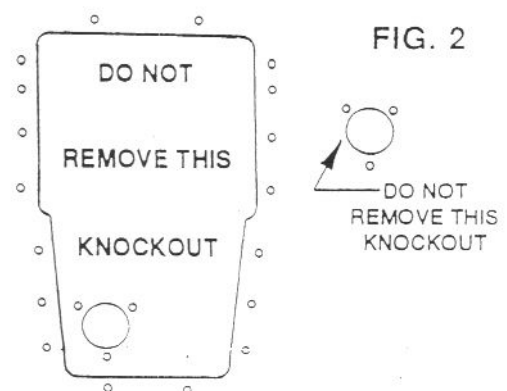
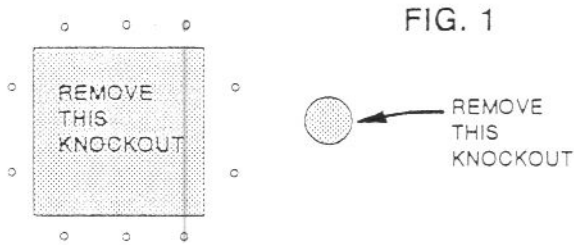


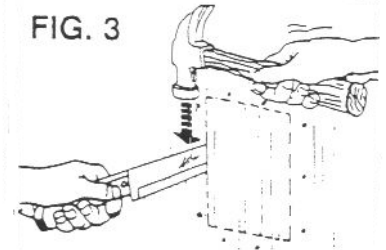
INTRODUCTION

If there are two knockout panels in your pool wall (FIG. 1 & 2), be sure you remove ONLY the panel indicated by the grey shaded area (FIG. 1). Removal of the incorrect panel could result in permanent damage to your pool wall. The knockout panel not being used MUST be covered (inside the wall) with heavy cloth or duct tape.



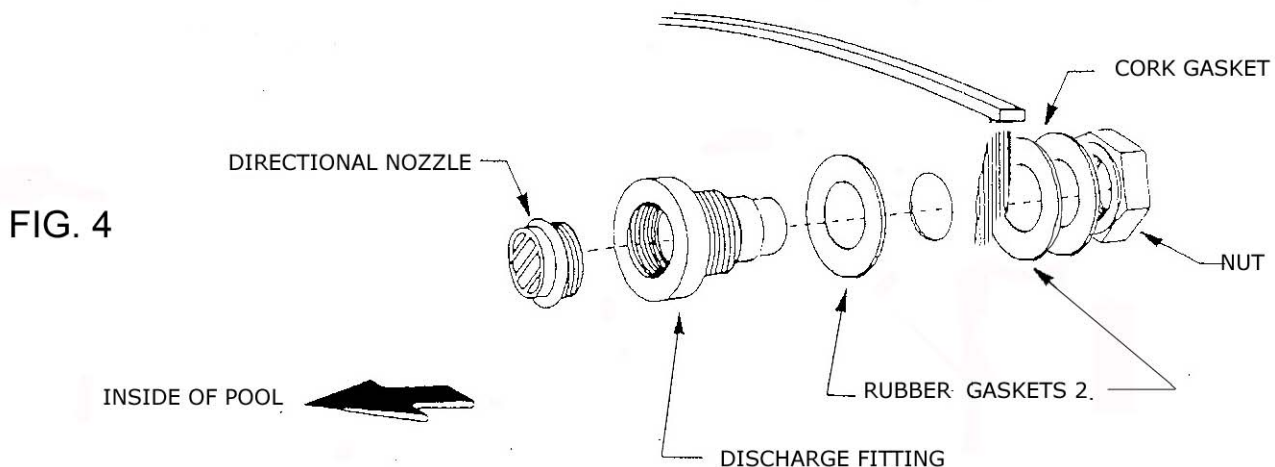
1. REMOVE KNOCKOUTS IN POOL WALL

- The best method to remove the knockout panel is illustrated in FIG. 3. An old knife is best. Hold the blade of the knife as close to the wall as possible and gently tap it with a hammer. Remove bolt hole knockouts using a punch with a wooden block as a back-up. File all sharp points and straighten any distorted or bent areas.
- Return to Pool Owner's Manual and proceed with pool installation. Complete through step "Filling the Pool". Your pool should be at least half full of water before installation of your skimmer.



2. INSTALL DISCHARGE FITTING (FIG. 4)

- Using the round hole in the pool wall as a guide, carefully trim a hole in the vinyl liner. Use a razor sharp knife and cut the liner from inside the pool.
- Fit rubber gasket onto discharge fitting. From inside the pool, insert fitting through the hole in the wall. Fit other gaskets on outside of pool. Thread nut onto fitting and hand tighten only. **CAUTION:** As you tighten the nut, be sure the discharge fitting does not turn. If the fitting turns, the liner may wrinkle and cause a leak.
- Screw directional nozzle into discharge fitting.



3. ASSEMBLE AND INSTALL SKIMMER

- a. Fit weir into slots in skimmer. Foam side should face skimmer.
- b. Place small gasket on skimmer housing, making sure that the holes align.
- c. Place wide mouth adaptor over gasket, making sure the holes aligns.
- d. Assemble the unit using four stainless steel screws.
- e. Use a nail and pierce bolt holes through the liner. Position the faceplate and a gasket on the inside of the pool. Position the second gasket and skimmer body on the outside of the pool. Align parts and attach (from inside pool) with eighteen screws. Tighten all screws evenly.
- f. Using the skimmer faceplate as a guide, carefully trim away the vinyl liner. Use a razor knife and cut the liner from inside.
- g. Screw the threaded adaptor into the bottom of the skimmer.

4. CONNECT FILTER TO SKIMMER

- a. Attach filter discharge hose to discharge fitting on pool wall. Use a hose clamp.
- b. Attach filter intake hose to adaptor in bottom of skimmer body with enclosed hose clamp.
- c. Set strainer basket in skimmer.
- d. Fill pool to correct water level – midway between the screws on the skimmer faceplate. For correct operation of the skimmer, the water level must be maintained between these two marks. Too much or too little water will decrease the efficiency of the skimmer and possibly damage your pump and motor.

5. VACUUM CLEANING THE POOL

- a. Turn off the filter. Remove and clean strainer basket.
- b. Turn on the filter. Place the assembled vacuum cleaner with the hose attached to the pool. Hold the free end of the vacuum hose against the discharge opening until all the air is forced from the vacuum hose. Keep end of hose under water.
- c. Turn off the pump and fit the vacuum adaptor plate into the skimmer body.
- d. Slide vacuum hose over fitting in vacuum plate.
- e. Turn on the filter and operate vacuum cleaner over the pool floor in slow steady movements.
- f. When finished vacuum cleaning, turn off the filter. Remove vacuum hose from the pool. Remove vacuum plate from skimmer.
- g. Clean and replace strainer basket.
- h. Turn on filter and resume operation.

6. WINTERIZING

In climates where the pool water is likely to freeze, the skimmer must be protected against damage from ice. Remove the filter from the pool and protect the skimmer as follows:

- a. Drain water level below the skimmer faceplate.
- b. Remove strainer basket. Disconnect hoses. Unscrew adaptor in bottom of skimmer.
- c. Leave the skimmer bottom open so that any additional water can drain out freely. Do not plug hole or leave any hoses connected to the skimmer; severe ice damage to your wall may occur.
- d. It is desirable to cover your pool with a winter cover. It will keep out leaves, dirt and conserve the pool chemicals.
- e. Use a solid winter faceplate and/or ice compensator for additional protection.

NOTE: DO NOT ADD CHEMICALS DIRECTLY INTO SKIMMER. SERIOUS DAMAGE TO SKIMMER, FILTER AND LINER WILL RESULT.



JED Pool Tools, Inc.

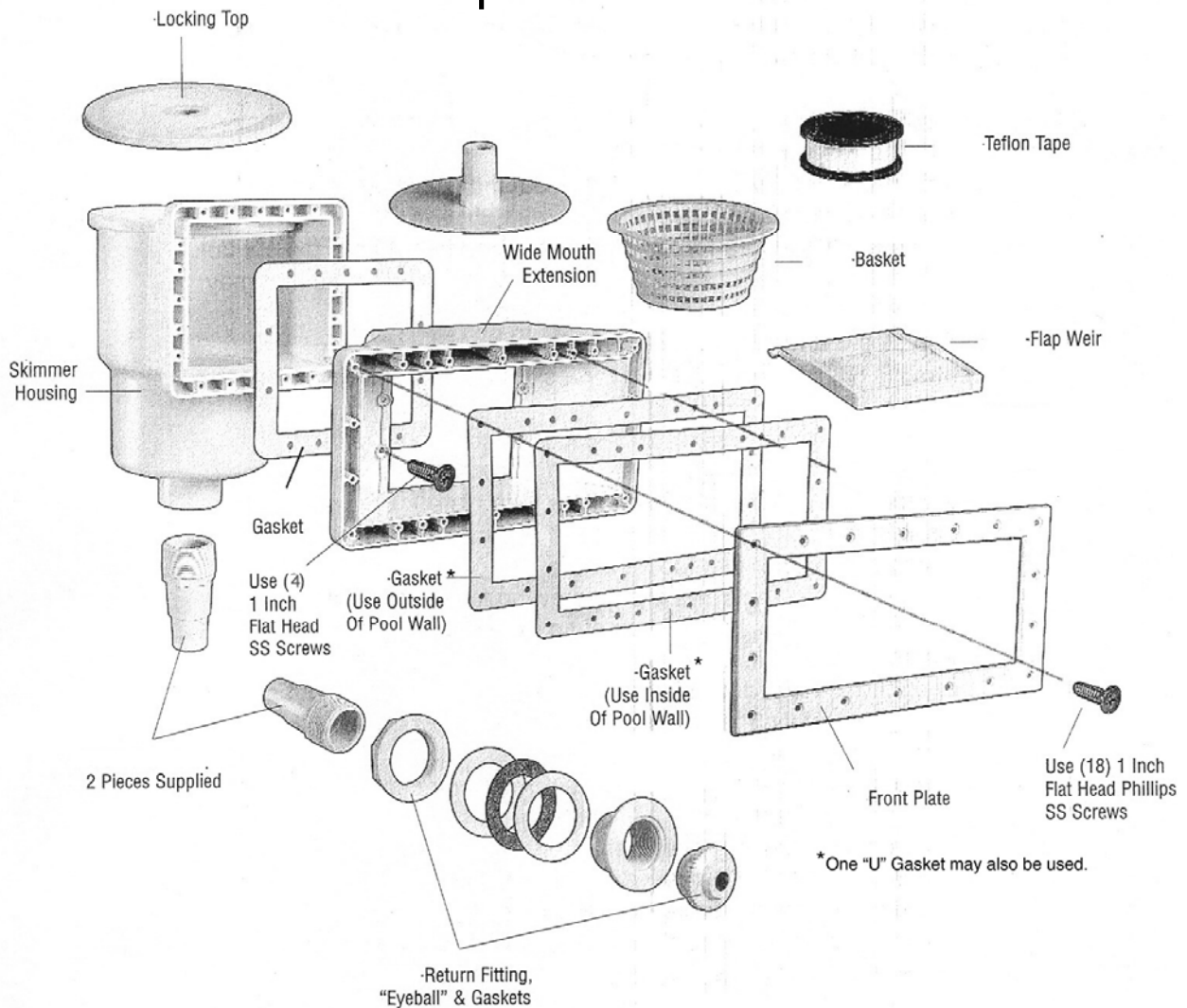
1100 Penn Ave, Scranton, PA 18509

www.JEDPoolTools.com

JED # 45-430

Wide Mouth Thru-the-Wall Skimmer

Installation – Operation – Parts List



Caution: Read all instructions carefully before starting the installation. Check for missing parts by reviewing the parts list in the back of the pamphlet.

MISSING A PART?

Please E-Mail JED Pool Tools at:

Info@JEDPoolTools.com